

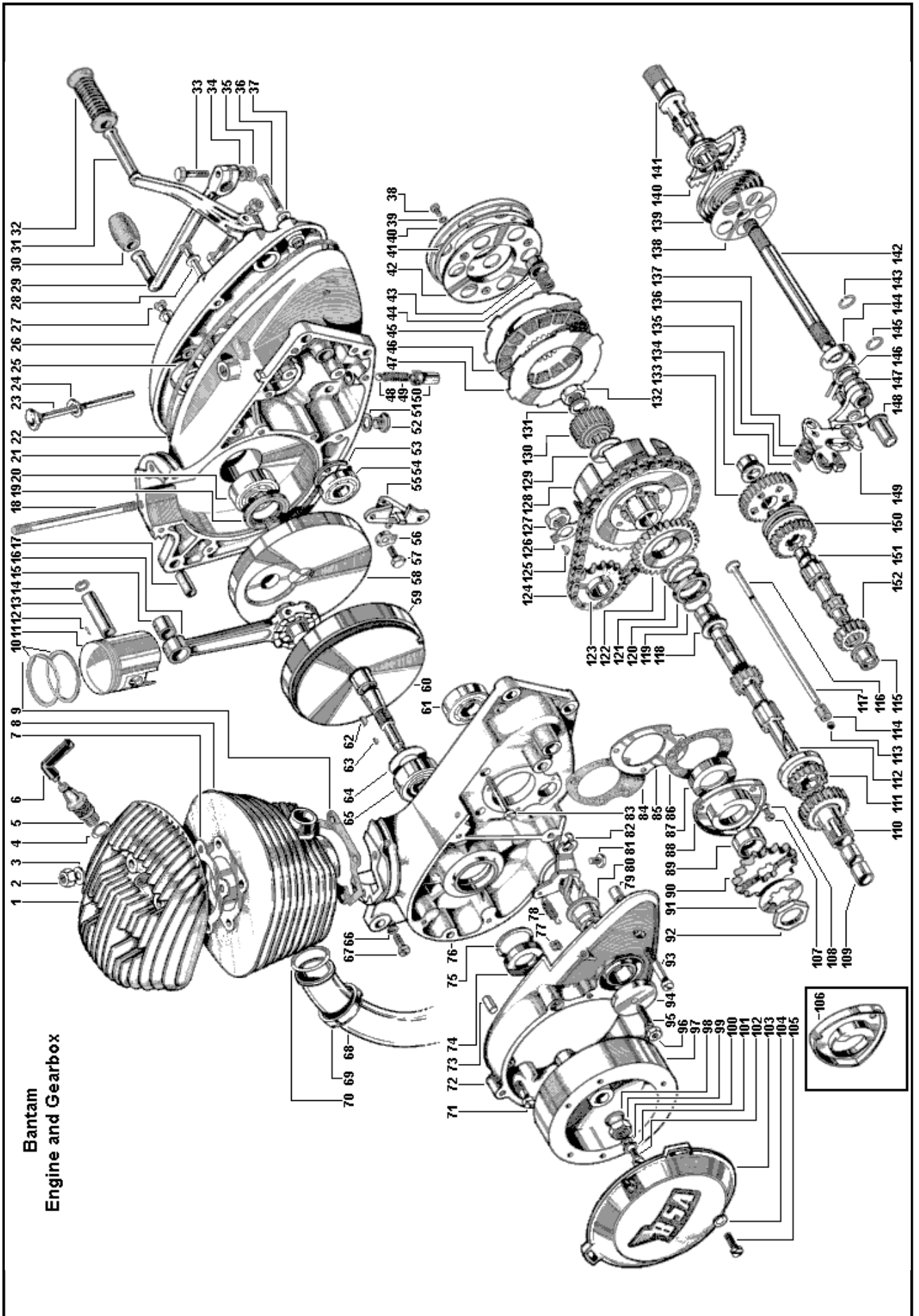
## ENGINE and GEARBOX

### 125c.c.

Plate Ref. Number	Model.	Part No.	Description.	Number per set.
1 ...	125c.c.	90-814	Cylinder head	1
2 ...	125c.c.	21-5103	Cylinder barrel stud nut	4
3 ...	125c.c.	2-923	Cylinder barrel stud washer	4
4 ...	125c.c.	66-102	Sparking plug washer	1
5 ...	125c.c.	65-114	Sparking plug	1
6 ...	125c.c.	65-1776	Sparking plug suppressor	1
7 ...	125c.c.	90-816	Cylinder head gasket	1
8 ...	125c.c.	90-820	Cylinder barrel	1
9 ...	125c.c.	90-736	Cylinder base gasket	1
10 ...	125c.c.	90-9	Compression ring (standard)	2
10 ...	125c.c.	90-278	Compression ring (.020" oversize)	2
10 ...	125c.c.	90-394	Compression ring (.040" oversize)	2
11 ...	125c.c.	90-337	Piston complete with rings, pegs, gudgeon pin and circlips (standard)	1
11 ...	125c.c.	90-338	Piston complete with rings, pegs, gudgeon pin and circlips (.020" oversize)	1
11 ...	125c.c.	90-388	Piston complete with rings, pegs, gudgeon pin and circlips (.040" oversize)	1
12 ...	125c.c.	90-123	Piston ring peg	2
13 ...	125c.c.	90-84	Gudgeon pin	1
14 ...	125c.c.	90-85	Gudgeon pin circlip	2
15 ...	125c.c.	90-130	Connecting rod bush (small end)	1
16 ...	125c.c.	90-1340	Connecting rod, crankpin, rollers and roller cage	1
17 ...	125c.c.	90-109	Crankcase dowel	2
18 ...	125c.c.	90-111	Cylinder barrel stud	4
19 ...	125c.c.	90-749	Crankshaft oil seal (o/s)	1
20 ...	125c.c.	89-3023	Crankshaft bearing (o/s)	1
21 ...	125c.c.	*90-1372	Crankcase with fixed fittings (o/s)	1
22 ...	125c.c.	90-117	Primary chain cover gasket	1
23 ...	125c.c.	90-112	Dipstick complete	1
24 ...	125c.c.	2-2894	Dipstick washer (fibre)	1
25 ...	125c.c.	90-10	Crankshaft bearing (o/s)	1
26 ...	125c.c.	90-139	Primary chain cover with bushes and dowels	1
27 ...	125c.c.	90-124	Primary chain cover screw (long)	2
28 ...	125c.c.	65-3062	Primary chain cover screw	2
29 ...	125c.c.	90-268	Gear change lever	1
30 ...	125c.c.	89-3208	Gear change lever rubber	1
31 ...	125c.c.	90-932	Kickstart lever	1
32 ...	125c.c.	90-135	Kickstart lever rubber	1
33 ...	125c.c.	21-5406	Kickstart and gearchange lever bolt	2
34 ...	125c.c.	2-2580	Kickstart and gearchange lever washer	2
35 ...	125c.c.	21-5102	Kickstart and gearchange lever nut	2
36 ...	125c.c.	90-125	Primary chain cover screw (short)	1
37 ...	125c.c.	90-262	Primary chain cover and drain plug washer	7
38 ...	125c.c.	90-368	Clutch cover screw	3
39 ...	125c.c.	29-3319	Clutch cover screw washer (shakeproof)	3
40 ...	125c.c.	90-336	Clutch cover	1
41 ...	125c.c.	90-27	Clutch casing snap ring	1
42 ...	125c.c.	90-341	Clutch spring cup plate complete	1
43 ...	125c.c.	90-30	Clutch spring cup	6
44 ...	125c.c.	90-1367	Clutch spring	6
45 ...	125c.c.	90-32	Clutch actuating plate complete	1
46 ...	125c.c.	90-1318	Clutch driving plate complete	3
47 ...	125c.c.	90-37	Clutch driven plate	2
48 ...	125c.c.	90-241	Gear selector arm ball	1
49 ...	125c.c.	90-46	Gear selector arm spring	1
50 ...	125c.c.	90-47	Gear selector arm spring socket	1
51 ...	125c.c.	2-2894	Drain plug fibre washer	1
52 ...	125c.c.	90-115	Drain plug	1
53 ...	125c.c.	90-75	Gearbox mainshaft bearing circlip	1
54 ...	125c.c.	90-11	Gearbox mainshaft bearing	1
55 ...	125c.c.	90-56	Gear selector arm bracket complete	1
56 ...	125c.c.	90-63	Selector arm bracket screw lock washer	2
57 ...	125c.c.	90-62	Selector arm bracket screw	2
— ...	125c.c.	90-1334	Flywheel and connecting rod assembly	1
58 ...	125c.c.	90-782	Flywheel complete with shaft (o/s)	1
		*Supplied only as complete assemblies (2 halves)		
	125c.c.	90-1371	Crankcase o/s and n/s assembled	1

# ENGINE and GEARBOX

125c.c.



## ENGINE and GEARBOX

### 125c.c.

Plate Ref. Number	Model.	Part No.	Description.	Number per set.
59 ...	125c.c.	90-822	Flywheel complete with shaft (n/s)	1
60 ...	125c.c.	90-748	Flywheel side plate	2
61 ...	125c.c.	90-12	Gearbox pinion sleeve bearing	1
62 ...	125c.c.	90-149	Flywheel magneto key	1
63 ...	125c.c.	90-246	Flywheel magneto cam key	1
64 ...	125c.c.	90-152	Crankshaft shim (.003")	as reqd.
64 ...	125c.c.	90-153	Crankshaft shim (.004")	as reqd.
64 ...	125c.c.	90-154	Crankshaft shim (.005")	as reqd.
64 ...	125c.c.	90-155	Crankshaft shim (.010")	as reqd.
65 ...	125c.c.	89-3023	Crankshaft bearing (n/s)	1
66 ...	125c.c.	90-346	Crankcase fixing screw washer (spring)	11
67 ...	125c.c.	65-2158	Crankcase fixing screw (short)	9
68 ...	125c.c.	90-3024	Exhaust pipe (standard)	1
69 ...	125c.c.	90-265	Exhaust pipe union nut	1
70 ...	125c.c.	90-3002	Exhaust pipe union nut washer	1
71 ...	125c.c.	90-248	Crankcase cover fixing screw (short)	2
72 ...	125c.c.	90-1353	Crankcase cover (nearside) complete	1
73 ...	125c.c.	90-110	Crankcase dowel	2
74 ...	125c.c.	90-147	Crankshaft oil seal (n/s)	1
75 ...	125c.c.	90-798	Crankshaft oil seal retaining circlip (n/s)	1
76 ...	125c.c.	*90-1373	Crankcase with fixed fittings (n/s)	1
77 ...	125c.c.	15-5290	Crankcase cover grease nipple (n/s)	1
78 ...	125c.c.	90-122	Clutch operating lever spring	1
79 ...	125c.c.	90-108	Crankcase dowel bush	2
80 ...	125c.c.	90-184	Clutch operating lever bush	1
81 ...	125c.c.	90-261	Crankcase drain plug	1
82 ...	125c.c.	90-180	Clutch operating lever complete	1
83 ...	125c.c.	90-125	Crankcase fixing screw (long)	4
84 ...	125c.c.	90-272	Mainshaft bearing thrust plate gasket	1
85 ...	125c.c.	90-133	Mainshaft bearing thrust plate	1
86 ...	125c.c.	90-73	Mainshaft oil seal housing gasket	1
87 ...	125c.c.	89-3006	Mainshaft oil seal	1
88 ...	125c.c.	90-72	Mainshaft oil seal housing	1
89 ...	125c.c.	90-71	Gearbox sprocket distance sleeve	1
90 ...	125c.c.	90-68	Gearbox sprocket (15T) (standard)	1
90 ...	125c.c.	90-299	Gearbox sprocket (14T) (as required)	1
90 ...	125c.c.	90-473	Gearbox sprocket (16T) (as required)	1
91 ...	125c.c.	90-70	Gearbox sprocket lock washer	1
92 ...	125c.c.	90-172	Gearbox sprocket nut	1
93 ...	125c.c.	90-125	Crankcase cover screw (n/s)	3
94 ...	125c.c.	90-106	Clutch operating lever cap	1
95 ...	125c.c.	90-105	Clutch adjusting screw	1
96 ...	125c.c.	89-366	Clutch adjusting screw lock nut	1
97 ...	125c.c.	19-239	Flywheel only (A.C., D.C.)	1
98 ...	125c.c.	90-260	Flywheel magneto fixing nut washer	1
99 ...	125c.c.	90-259	Flywheel magneto fixing nut	1
100 ...	125c.c.	90-257	Flywheel magneto cam washer (plain)	1
101 ...	125c.c.	90-258	Flywheel magneto cam washer (spring)	1
102 ...	125c.c.	90-256	Flywheel magneto cam screw	1
— ...	125c.c.	90-959	Flywheel and generator complete (direct lighting)	1
— ...	125c.c.	90-960	Flywheel and generator complete (battery lighting)	1
103 ...	125c.c.	19-284	Flywheel generator only (A.C./D.C.)	1
104 ...	125c.c.	2-2580	Flywheel magneto fixing screw washer	3
105 ...	125c.c.	65-2158	Flywheel magneto fixing screw	3
106 ...	125c.c.	90-450	Mainshaft oil seal housing (must be fitted when 90-299 engine sprocket is fitted)	1
107 ...	125c.c.	2-498	Mainshaft oil seal housing screw	5
108 ...	125c.c.	29-3319	Mainshaft oil seal housing washer	5
109 ...	125c.c.	90-67	Mainshaft primary drive gear bush	2
110 ...	125c.c.	90-65	Mainshaft primary drive gear complete (standard)	1
110 ...	125c.c.	90-474	Primary drive gear complete (alternative)	1
111 ...	125c.c.	90-1357	Mainshaft gear (22T) (standard)	1
111 ...	125c.c.	90-458	Mainshaft sliding gear (21T) (standard)	1
112 ...	125c.c.	90-1354	Gearbox mainshaft (standard)	1
112 ...	125c.c.	90-445	Gearbox mainshaft (alternative)	1
113 ...	125c.c.	89-5015	Clutch push rod ball	1
114 ...	125c.c.	90-132	Clutch push rod bush (rubber)	1
115 ...	125c.c.	90-83	Layshaft bush	1
116 ...	125c.c.	90-98	Clutch push rod (short)	1

\*See footnote on page 14.

## ENGINE and GEARBOX

### 125c.c.

Plate Ref. Number	Model.	Part No.	Description.	Number per set.
117 ...	125c.c.	... 90-99	... Clutch push rod (long) ...	1
118 ...	125c.c.	... 90-76	... Clutch chainwheel distance bush ...	1
119 ...	125c.c.	... 90-24	... Clutch chainwheel circlip ...	1
120 ...	125c.c.	... 90-40	... Kickstarter pinion spring retainer ...	1
121 ...	125c.c.	... 90-39	... Kickstarter pinion spring ...	1
122 ...	125c.c.	... 90-177	... Kickstarter pinion ...	1
123 ...	125c.c.	... 90-120	... Crankshaft sprocket ...	1
124 ...	125c.c.	... 90-134	... Primary chain ...	1
125 ...	125c.c.	... 35-1896	... Crankshaft sprocket key ...	1
126 ...	125c.c.	... 90-121	... Crankshaft sprocket lock washer ...	1
127 ...	125c.c.	... 90-340	... Crankshaft nut ...	1
128 ...	125c.c.	... 90-175	... Clutch chainwheel complete ...	1
129 ...	125c.c.	... 90-283	... Clutch chainwheel thrust washer ...	1
130 ...	125c.c.	... 90-28	... Clutch hub ...	1
131 ...	125c.c.	... 15-39	... Mainshaft washer ...	1
132 ...	125c.c.	... 90-340	... Mainshaft nut ...	1
133 ...	125c.c.	... 90-82	... Layshaft gear (32T) (standard) ...	1
133 ...	125c.c.	... 90-448	... Layshaft gear (28T) (alternative) ...	1
134 ...	125c.c.	... 90-83	... Layshaft bush ...	1
135 ...	125c.c.	... 90-61	... Swivel pin peg ...	1
136 ...	125c.c.	... 90-60	... Gear selector arm spring cup ...	1
137 ...	125c.c.	... 90-59	... Gear selector arm retaining spring ...	1
138 ...	125c.c.	... 90-90	... Kickstarter quadrant spring plate ...	1
139 ...	125c.c.	... 90-89	... Kickstarter quadrant spring ...	1
— ...	125c.c.	... 90-178	... Kickstarter quadrant with spindle ...	1
140 ...	125c.c.	... 90-179	... Kickstarter quadrant only ...	1
141 ...	125c.c.	... 90-88	... Kickstarter quadrant spindle only ...	1
142 ...	125c.c.	... 90-1143	... Gear selector fork shaft ...	1
143 ...	125c.c.	... 90-51	... Gear selector fork spring ring ...	1
144 ...	125c.c.	... 90-54	... Gear selector fork spring cup ...	1
145 ...	125c.c.	... 90-55	... Gear selector fork spring cup ring ...	1
146 ...	125c.c.	... 90-1288	... Gear selector fork spring ...	1
147 ...	125c.c.	... 90-190	... Gear selector fork and peg ...	1
148 ...	125c.c.	... 90-759	... Gear selector shaft thrust pad ...	1
149 ...	125c.c.	... 90-1365	... Gear selector arm complete ...	1
150 ...	125c.c.	... 90-1360	... Layshaft gear (25T) (standard) ...	1
150 ...	125c.c.	... 90-457	... Layshaft sliding gear (26T) (alternative) ...	1
150 ...	125c.c.	... 90-449	... Layshaft sliding gear (25T) (alternative) ...	1
— ...	125c.c.	... 90-1358	... Layshaft with gear (19T) (standard) ...	1
151 ...	125c.c.	... 90-1359	... Layshaft only (standard) ...	1
— ...	125c.c.	... 90-476	... Layshaft with gear (23T) (alternative) ...	1
152 ...	125c.c.	... 90-353	... Layshaft gear (19T) (standard) ...	1
152 ...	125c.c.	... 90-447	... Layshaft gear (23T) (alternative) ...	1

\*See footnote on page 14.

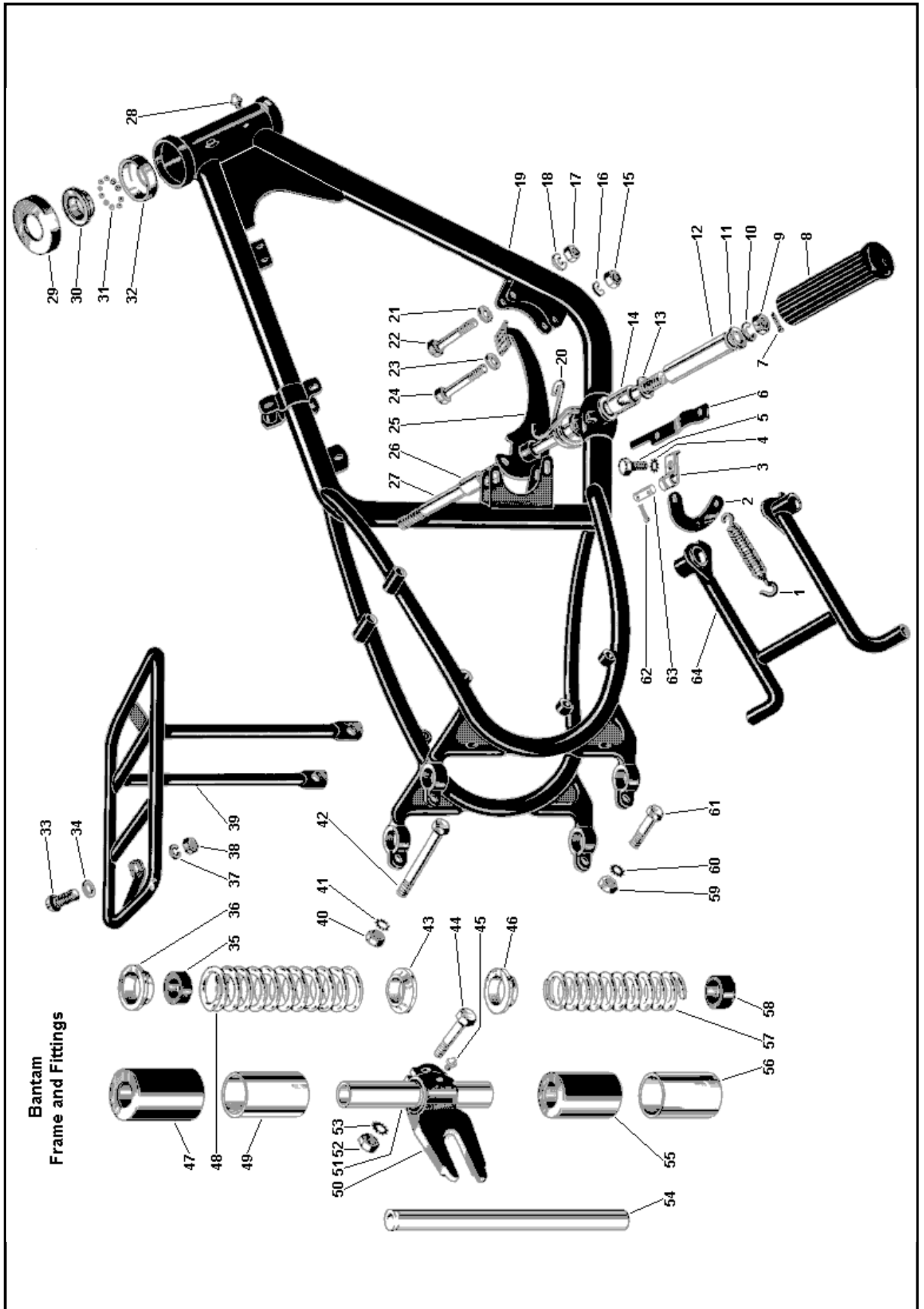
## FRAME and FITTINGS

### 125c.c. (Spring Frame)

Plate Ref. Number	Model.	Part No.	Description.	Number per set.
1 ...	125c.c.	... 90-4718	... Central stand spring ...	1
2 ...	125c.c.	... 90-4716	... Central stand connecting link ...	1
3 ...	125c.c.	... 90-4724	... Connecting link pivot clip ...	1
4 ...	125c.c.	... 36-382	... Central stand and brake pedal stop plate bolt washer (shakeproof) ...	1
5 ...	125c.c.	... 21-5662	... Central stand and brake pedal stop plate bolt ...	1
5 ...	125c.c.	... 21-5663	... Central stand and brake pedal stop plate bolt ...	1
6 ...	125c.c.	... 90-4707	... Central stand and brake pedal stop plate ...	1
7 ...	125c.c.	... 35-705	... Footrest rod nut split pin ...	2

# FRAME and FITTINGS

125c.c. (Spring Frame)



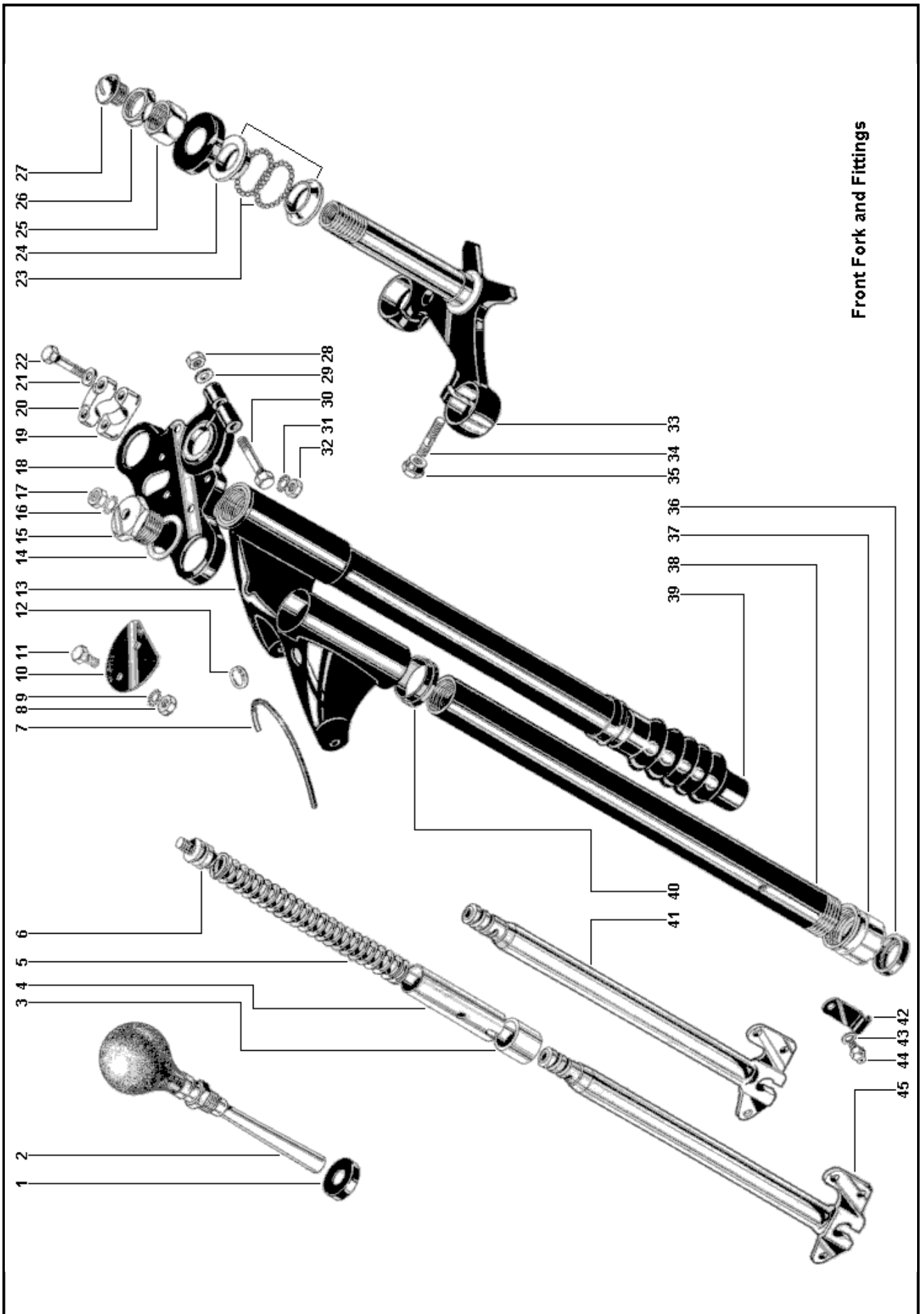
## FRAME and FITTINGS

### 125c.c. (Spring Frame)

Plate Ref. Number	Model.	Part No.	Description.	Number per set.
8	125c.c.	90-4805	Footrest rubber	2
9	125c.c.	21-5306	Footrest rod nut	1
10	125c.c.	3-107	Footrest rod washer (spring)	2
11	125c.c.	24-5914	Footrest rubber locating washer (outside)	2
12	125c.c.	90-4810	Footrest rod distance tube	4
13	125c.c.	2-108	Footrest rubber locating washer (inside)	2
14	125c.c.	90-4727	Central stand sleeve (offside)	1
15	125c.c.	21-5102	Engine mounting bolt nut (bottom)	2
16	125c.c.	2-1462	Engine mounting bolt spring washer (bottom)	2
17	125c.c.	21-5103	Engine mounting bolt nut (top)	2
18	125c.c.	24-8784	Engine mounting bolt spring washer (top)	2
19	125c.c.	90-4045	Frame complete with fixed fittings	1
20	125c.c.	90-7008	Rear brake pedal return spring	1
21	125c.c.	2-923	Engine mounting bolt plain washer (top)	2
22	125c.c.	21-5670	Engine mounting bolt (top)	2
23	125c.c.	2-1374	Engine mounting bolt plain washer (bottom)	4
24	125c.c.	21-5620	Engine mounting bolt (bottom)	2
25	125c.c.	90-7001	Rear brake pedal complete	1
26	125c.c.	90-4708	Central stand and brake pedal pivot sleeve	1
27	125c.c.	90-4826	Footrest rod	1
28	125c.c.	28-2080	Ball head grease nipple	1
29	125c.c.	65-5321	Steering head dust cap	1
30	125c.c.	65-5319	Steering head ballrace cone	2
31	125c.c.	1-4676	Steering head ball (steel)	48
32	125c.c.	65-4465	Ball head cup	2
33	125c.c.	21-6173	Carrier fixing screw	2
34	125c.c.	27-8560	Carrier fixing screw washer (plain)	2
35	125c.c.	90-4105	Plunger stop rubber buffer	2
36	125c.c.	90-4115	Plunger spring collar (top)	2
37	125c.c.	2-1462	Carrier fixing screw washer (spring)	2
38	125c.c.	21-5102	Carrier fixing screw nut	2
39	125c.c.	90-6818	Carrier complete	1
40	125c.c.	21-5103	Plunger column top bolt nut	1
41	125c.c.	36-382	Plunger column top bolt washer (shakeproof)	1
42	125c.c.	21-5672	Plunger column top, mudguard stay and carrier bolt (o/s)	1
43	125c.c.	90-4112	Plunger spring collar (bottom)	2
44	125c.c.	21-5720	Bolt (plunger to lug)	2
45	125c.c.	28-2080	Lug grease nipple	2
46	125c.c.	90-4112	Rebound spring collar (top)	2
47	125c.c.	90-4111	Plunger spring shroud (outer)	2
48	125c.c.	90-4103	Plunger spring (top)	2
49	125c.c.	90-4110	Plunger spring shroud (inner)	2
50	125c.c.	90-6050	Rear hub mounting lug (nearside)	1
50	125c.c.	90-6051	Rear hub mounting lug (offside)	1
51	125c.c.	90-4113	Plunger tube with bushes (nearside)	1
51	125c.c.	90-4113	Plunger tube with bushes (offside)	1
52	125c.c.	21-5104	Plunger to lug bolt nut	2
53	125c.c.	66-4707	Plunger to lug bolt washer (shakeproof)	2
54	125c.c.	90-4121	Plunger column assembled	2
55	125c.c.	90-4120	Rebound spring shroud (outer)	2
56	125c.c.	90-4119	Rebound spring shroud (inner)	2
57	125c.c.	90-4104	Rebound spring bottom	2
58	125c.c.	90-4105	Plunger stop rubber buffer	2
59	125c.c.	21-5103	Plunger column bolt nut (bottom)	2
60	125c.c.	36-382	Plunger column bolt washer (shakeproof) (bottom)	2
61	125c.c.	21-5669	Plunger column bolt (bottom)	2
62	125c.c.	35-705	Connecting link split pin	2
63	125c.c.	90-4723	Connecting link pivot	1
64	125c.c.	90-4701	Central stand complete	1

# FRONT FORK and FITTINGS

125c.c. (Spring Frame)



Front Fork and Fittings

## FRONT FORK and FITTINGS

### 125c.c. (Spring Frame)

Plate Ref. Number	Model.	Part No.	Description.	Number per set.
— ...	125c.c.	90-5116	Front fork complete	1
1 ...	125c.c.	90-5539	Steering stem cover	1
2 ...	125c.c.	90-9126	Bulb horn unit (when direct lighting is fitted)	1
3 ...	125c.c.	90-5069	Fork tube bush	4
4 ...	125c.c.	90-5068	Fork bush distance tube	2
5 ...	125c.c.	90-5060	Fork spring	2
6 ...	125c.c.	90-5031	Fork top scroll	2
7 ...	125c.c.	29-5173	Headlamp beading	1
8 ...	125c.c.	21-5102	Top yoke plate nut (required when speedo is not fitted)	2
9 ...	125c.c.	29-541	Top yoke plate washer (required when speedo is not fitted)	2
10 ...	125c.c.	90-5036	Top yoke plate (required when speedo is not fitted)	1
11 ...	125c.c.	21-5611	Top yoke plate bolt (required when speedo is not fitted)	2
12 ...	125c.c.	42-9009	Headlamp cowl speedo grommet (rubber)	1
13 ...	125c.c.	90-5102	Headlamp mounting complete	1
14 ...	125c.c.	90-5028	Fork tube top nut washer	2
15 ...	125c.c.	90-5027	Fork tube top nut	2
16 ...	125c.c.	66-4707	Fork top scroll washer	2
17 ...	125c.c.	21-5104	Fork top scroll nut	2
18 ...	125c.c.	90-5049	Fork top yoke	1
19 ...	125c.c.	90-5046	Handlebar seating	2
20 ...	125c.c.	65-5333	Handlebar clip	2
21 ...	125c.c.	15-5155	Handlebar clip bolt washer	4
22 ...	125c.c.	90-5082	Handlebar clip bolt	4
23 ...	125c.c.	1-5676	Steering head balls	48
24 ...	125c.c.	65-5319	Steering head ball race cone	2
25 ...	125c.c.	90-5017	Steering stem nut	1
26 ...	125c.c.	90-5035	Steering stem locknut	1
27 ...	125c.c.	90-5050	Steering stem plug (required when bulb horn is not fitted)	1
28 ...	125c.c.	21-5103	Top yoke clamp bolt nut	1
29 ...	125c.c.	15-5155	Top yoke clamp bolt washer	2
30 ...	125c.c.	21-5672	Top yoke clamp bolt	1
31 ...	125c.c.	36-382	Handlebar clip bolt washer	4
32 ...	125c.c.	21-5103	Handlebar clip bolt nut	4
33 ...	125c.c.	90-5004	Bottom yoke	1
34 ...	125c.c.	90-5018	Bottom yoke clamp stud	2
35 ...	125c.c.	90-5052	Headlamp bracket and bottom yoke clamp stud nut	2
36 ...	125c.c.	90-5044	Fork tube oil seal	2
37 ...	125c.c.	90-5067	Fork tube nut	2
38 ...	125c.c.	90-5095	Fork outer tube complete	2
39 ...	125c.c.	90-5081	Fork leg gaiter	2
40 ...	125c.c.	90-5107	Headlamp mounting distance rubber	4
41 ...	125c.c.	90-5087	Fork sliding tube complete (right-hand)	1
42 ...	125c.c.	90-5096	Fork tube bottom nut retaining clip	2
43 ...	125c.c.	29-541	Fork tube grease nipple washer (spring)	2
44 ...	125c.c.	28-2080	Fork tube grease nipple	2
45 ...	125c.c.	90-5088	Fork sliding tube complete (left-hand)	1

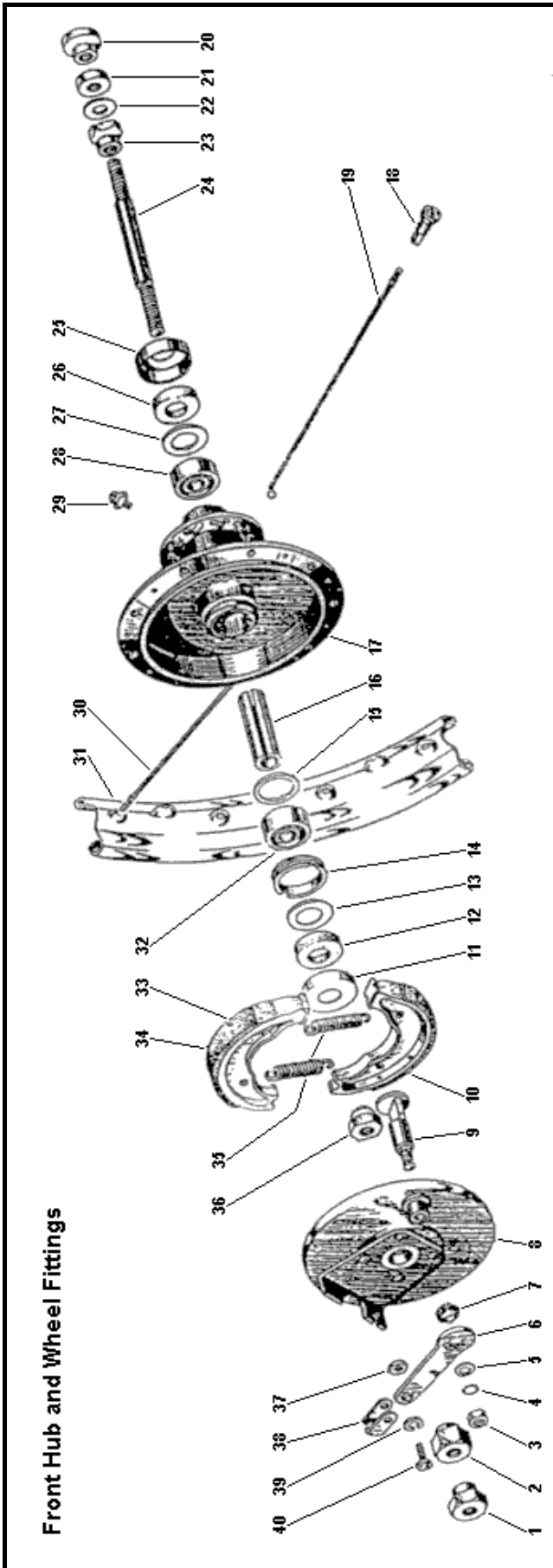
## FRONT HUB and WHEEL FITTINGS

### 125c.c. (Spring Frame)

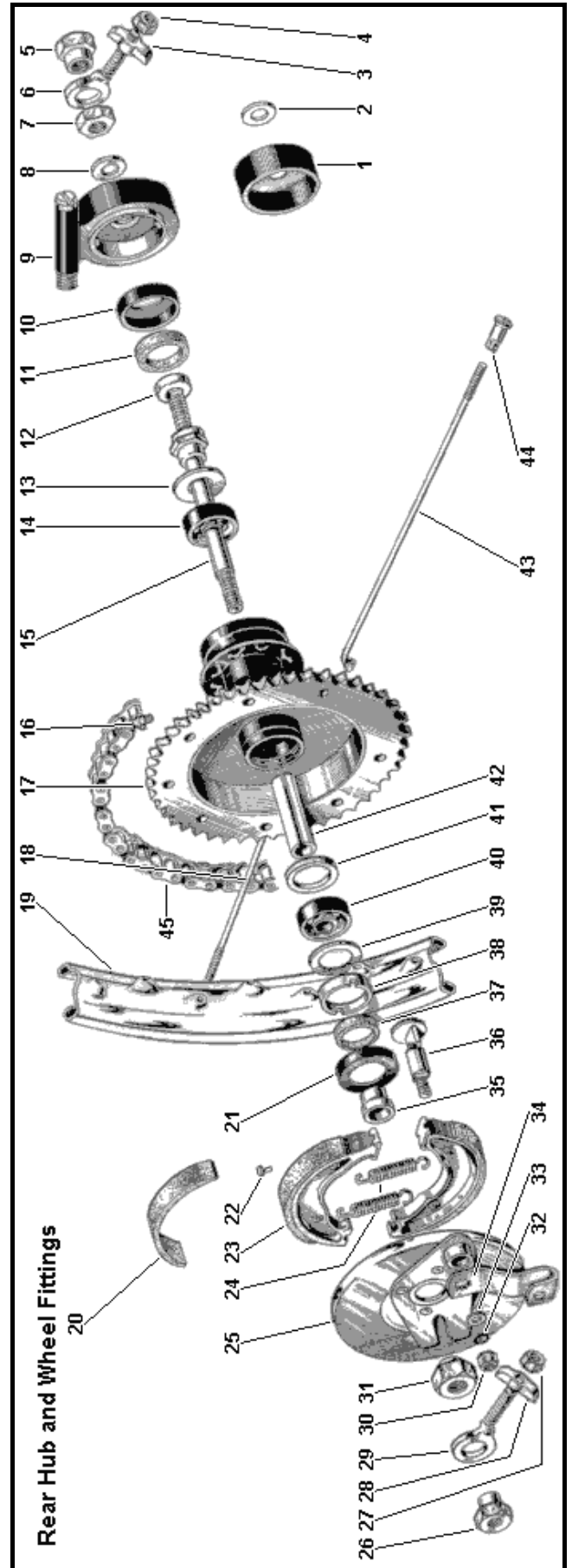
Plate Ref. Number	Model.	Part No.	Description.	Number per set.
— ...	125c.c.	90-5500/45	Front wheel complete with spindle and bearings (less brake and tyre)	1
1 ...	125c.c.	90-5575	Front hub spindle nut	1
2 ...	125c.c.	90-5544	Hub cover plate locking sleeve	1
3 ...	125c.c.	21-5103	Brake operating lever nut	1
4 ...	125c.c.	36-382	Brake operating lever washer (shakeproof)	1
5 ...	125c.c.	15-5155	Brake operating lever washer (plain)	1
6 ...	125c.c.	90-5547	Brake operating lever	1
7 ...	125c.c.	1-5325	Brake cam bearing oil hole cover	1
8 ...	125c.c.	90-5526	Front brake cover plate complete	1
9 ...	125c.c.	90-5533	Brake cam complete	1



**Plate 4 FRONT HUB and WHEEL FITTINGS**  
125c.c. (Spring Frame)



**REAR HUB and WHEEL FITTINGS** Plate 5  
125c.c. (Spring Frame)



## FRONT HUB and WHEEL FITTINGS

### 125c.c. (Spring Frame)

Plate Ref. Number	Model.	Part No.	Description.	Number per set.
10	125c.c.	90-5520	Brake shoe complete with lining	2
11	125c.c.	90-5539	Felt retaining cup	1
12	125c.c.	90-5540	Hub felt washer	1
13	125c.c.	90-5538	Felt retaining washer (steel)	1
14	125c.c.	90-5537	Hub bearing lockring	1
15	125c.c.	90-5536	Bearing locating washer	1
16	125c.c.	90-5535	Hub bearing distance piece	1
17	125c.c.	90-5509/18	Front hub complete with spindle and bearings	1
18	125c.c.	27-6813	Front wheel spoke nipple	36
19	125c.c.	90-5584	Front wheel spoke (left-hand)	18
20	125c.c.	90-5575	Front hub spindle nut	1
21	125c.c.	90-5543	Front hub spindle locknut	1
22	125c.c.	90-5545	Hub spindle shim (.010")	as reqd.
23	125c.c.	90-5546	Hub bearing locknut	1
24	125c.c.	90-5541	Front hub spindle	1
25	125c.c.	90-5539	Felt retaining cup	1
26	125c.c.	90-5540	Hub felt washer	1
27	125c.c.	90-5538	Felt retaining washer (steel)	1
28	125c.c.	90-5525	Hub bearing	1
29	125c.c.	28-2080	Hub shell grease nipple	1
30	125c.c.	90-5583	Front wheel spoke (right-hand)	18
31	125c.c.	90-5504/3	Front wheel rim (WM1-19)	1
32	125c.c.	90-5525	Hub bearing	1
33	125c.c.	90-5549	Brake shoe lining rivet	14
34	125c.c.	90-5522	Brake shoe lining	2
35	125c.c.	65-5904	Brake shoe spring	2
36	125c.c.	90-5546	Hub bearing locknut	1
37	125c.c.	2-443	Brake operating lever toggle nut	1
38	125c.c.	29-5871	Brake operating lever toggle	1
39	125c.c.	2-1462	Brake operating lever toggle washer (spring)	1
40	125c.c.	2-510	Brake operating lever toggle screw	1

## REAR HUB and WHEEL FITTINGS

### 125c.c. (Spring Frame)

Plate Ref. Number	Model.	Part No.	Description.	Number per set.
—	125c.c.	90-6161/45	Rear wheel complete with spindle and bearings (less brake and tyre).	1
1	125c.c.	66-5541	Rear hub barrel cap (supplied only when speedometer is not fitted).	1
2	125c.c.	24-5909	Rear hub barrel cap washer	1
3	125c.c.	90-6084	Chain adjuster cap	1
4	125c.c.	1-6032	Chain adjuster nut	1
5	125c.c.	90-6067	Hub spindle nut	1
6	125c.c.	90-6085	Chain adjuster	1
7	125c.c.	90-6066	Hub spindle locknut	1
8	125c.c.	42-4079	Speedometer drive washer	1
9	125c.c.	66-6266	Speedometer drive	1
10	125c.c.	90-6111	Felt retaining cup (o/s)	1
11	125c.c.	90-6073	Hub washer (felt) (o/s)	1
12	125c.c.	29-8740	Bearing locknut packing washer	1
13	125c.c.	90-6075	Felt retaining washer (steel)	1
14	125c.c.	90-6063	Hub bearing	1
15	125c.c.	90-6092	Hub spindle with nut	1
16	125c.c.	28-2080	Hub grease nipple	1
17	125c.c.	90-6090/18	Rear hub complete with spindle and bearings	1
18	125c.c.	90-6042	Rear wheel spoke (left-hand)	18
19	125c.c.	90-6159/3	Rear wheel rim	1
20	125c.c.	90-5522	Brake shoe lining	2
21	125c.c.	90-6072	Felt retaining cup (n/s)	1

## REAR HUB and WHEEL FITTINGS 125c.c. (Spring Frame)

Plate Ref. Number	Model.	Part No.	Description.	Number per set.
22 ...	125c.c.	90-5549	Brake shoe lining rivet	14
23 ...	125c.c.	90-5520	Brake shoe complete with lining	2
24 ...	125c.c.	65-5904	Brake shoe spring	2
25 ...	125c.c.	90-6059	Rear hub cover plate complete	1
26 ...	125c.c.	90-6067	Hub spindle nut	1
27 ...	125c.c.	1-6032	Chain adjuster nut	1
28 ...	125c.c.	90-6084	Chain adjuster cap	1
29 ...	125c.c.	90-6085	Chain adjuster	1
30 ...	125c.c.	21-5103	Brake operating lever nut	1
31 ...	125c.c.	90-6096	Cover plate locking nut	1
32 ...	125c.c.	36-382	Brake operating lever washer	1
33 ...	125c.c.	15-5155	Brake operating lever washer	1
34 ...	125c.c.	90-6043	Brake operating lever	1
35 ...	125c.c.	90-6095	Hub distance piece	1
36 ...	125c.c.	90-5533	Brake cam	1
37 ...	125c.c.	90-6074	Hub washer (felt) (n/s)	1
38 ...	125c.c.	90-6071	Hub bearing lockring	1
39 ...	125c.c.	90-6075	Felt retaining washer (steel)	1
40 ...	125c.c.	90-6063	Hub bearing	1
41 ...	125c.c.	90-6076	Hub bearing thrust washer	1
42 ...	125c.c.	90-6064	Hub bearing distance piece	1
43 ...	125c.c.	90-5584	Rear wheel spoke (right-hand)	18
44 ...	125c.c.	27-6813	Spoke nipple	36
45 ...	125c.c.	90-9037	Transmission chain (rear)	1

## Plate 6 Handlebar and Controls, Prop Stand, Mudguards, Toolbox, Chainguards and Silencer 125c.c. (Spring Frame)

Plate Ref. Number	Model.	Part No.	Description.	Number per set.
1 ...	125c.c.	21-5103	Silencer stud nut	1
2 ...	125c.c.	35-33	Silencer stud washer (spring)	1
3 ...	125c.c.	2-2138	Silencer stud washer (plain)	1
4 ...	125c.c.	90-3091	Silencer fishtail	1
5 ...	125c.c.	90-3059	Sealing ring	1
6 ...	125c.c.	90-3047	Baffle assembly	1
— ...	125c.c.	90-3061	Silencer fixing clip complete	1
7 ...	125c.c.	21-5102	Silencer fixing clip nut	1
8 ...	125c.c.	90-3064	Silencer fixing clip 'D' piece	1
9 ...	125c.c.	90-3063	Silencer fixing clip 'T' bolt	1
10 ...	125c.c.	90-3040	Silencer complete	1
11 ...	125c.c.	90-3017	Silencer support stud	1
12 ...	125c.c.	66-8348	Silencer support stud distance piece	1
13 ...	125c.c.	2-370	Silencer support stud washer (plain)	1
14 ...	125c.c.	36-382	Silencer support stud washer (shakeproof)	1
15 ...	125c.c.	21-5103	Silencer support stud nut	1
16 ...	125c.c.	21-5611	Front mudguard to stay bolt	4
17 ...	125c.c.	27-8560	Front mudguard to stay bolt washer (plain) (rear)	2
18 ...	125c.c.	90-6531	Front mudguard stay (rear)	2
19 ...	125c.c.	21-5611	Front mudguard stay bolt	2
20 ...	125c.c.	27-8560	Front mudguard stay (front) bottom fixing bolt washer (plain)	2
21 ...	125c.c.	90-6530	Front mudguard stay (front)	2
22 ...	125c.c.	21-5102	Front mudguard loopstay bolt nut (fork end)	4
23 ...	125c.c.	2-1462	Front mudguard loopstay bolt washer (spring) (fork end)	4
24 ...	125c.c.	90-6528	Front mudguard loopstay complete	1
25 ...	125c.c.	29-541	Front mudguard stay (front) bottom fixing bolt washer (shakeproof).	2
26 ...	125c.c.	21-5102	Front mudguard stay (front) bottom fixing bolt nut	2
27 ...	125c.c.	27-8560	Front mudguard to loopstay bolt washer (plain)	2
28 ...	125c.c.	21-5611	Front mudguard stay bolt	2
29 ...	125c.c.	2-2395	Front number plate fixing stud nut	2
30 ...	125c.c.	2-1462	Front number plate fixing stud washer (spring)	2
31 ...	125c.c.	27-8560	Front mudguard to stay bolt washer (plain) (front)	2
— ...	125c.c.	27-8560	Front number plate washer (plain)	2

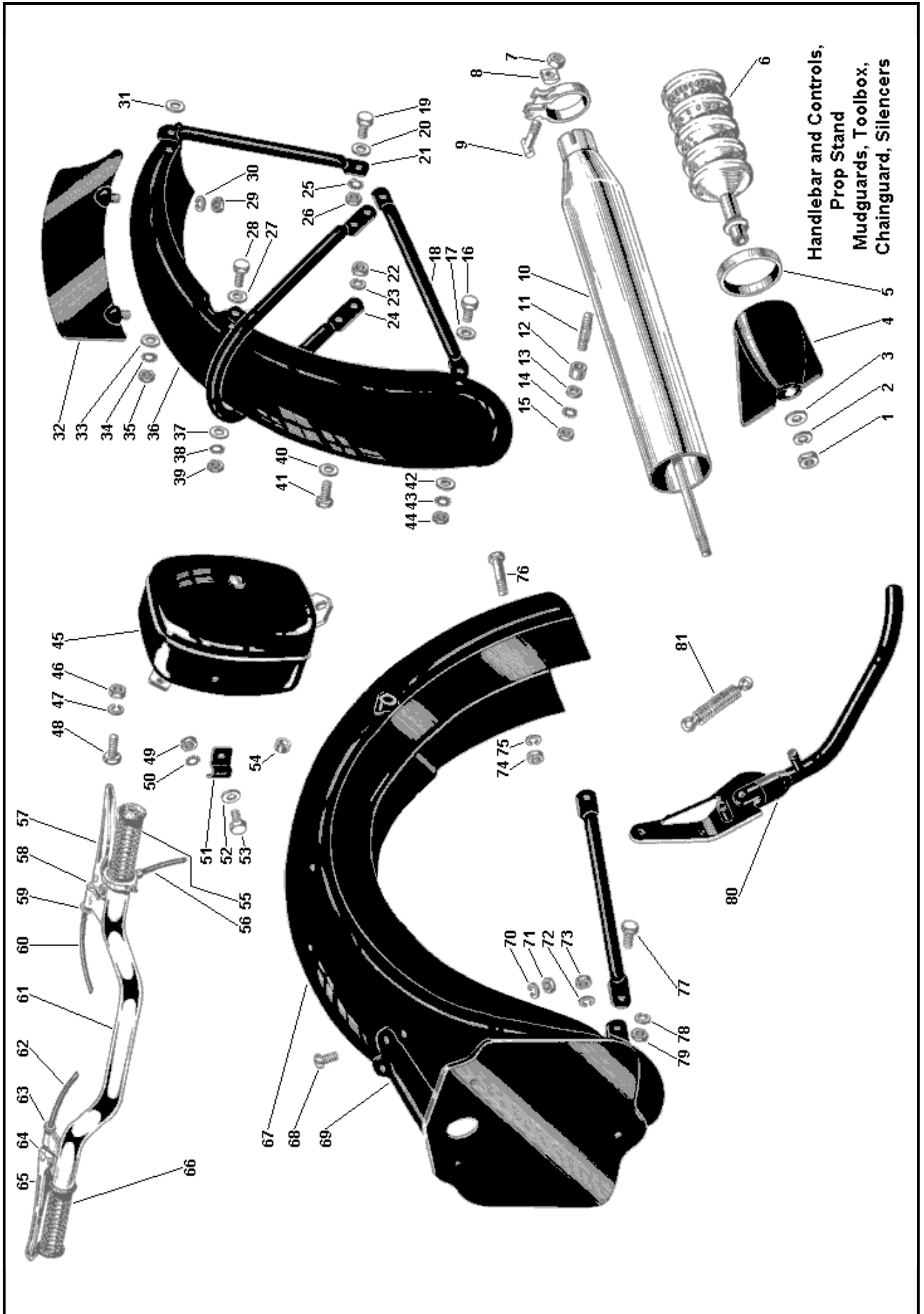
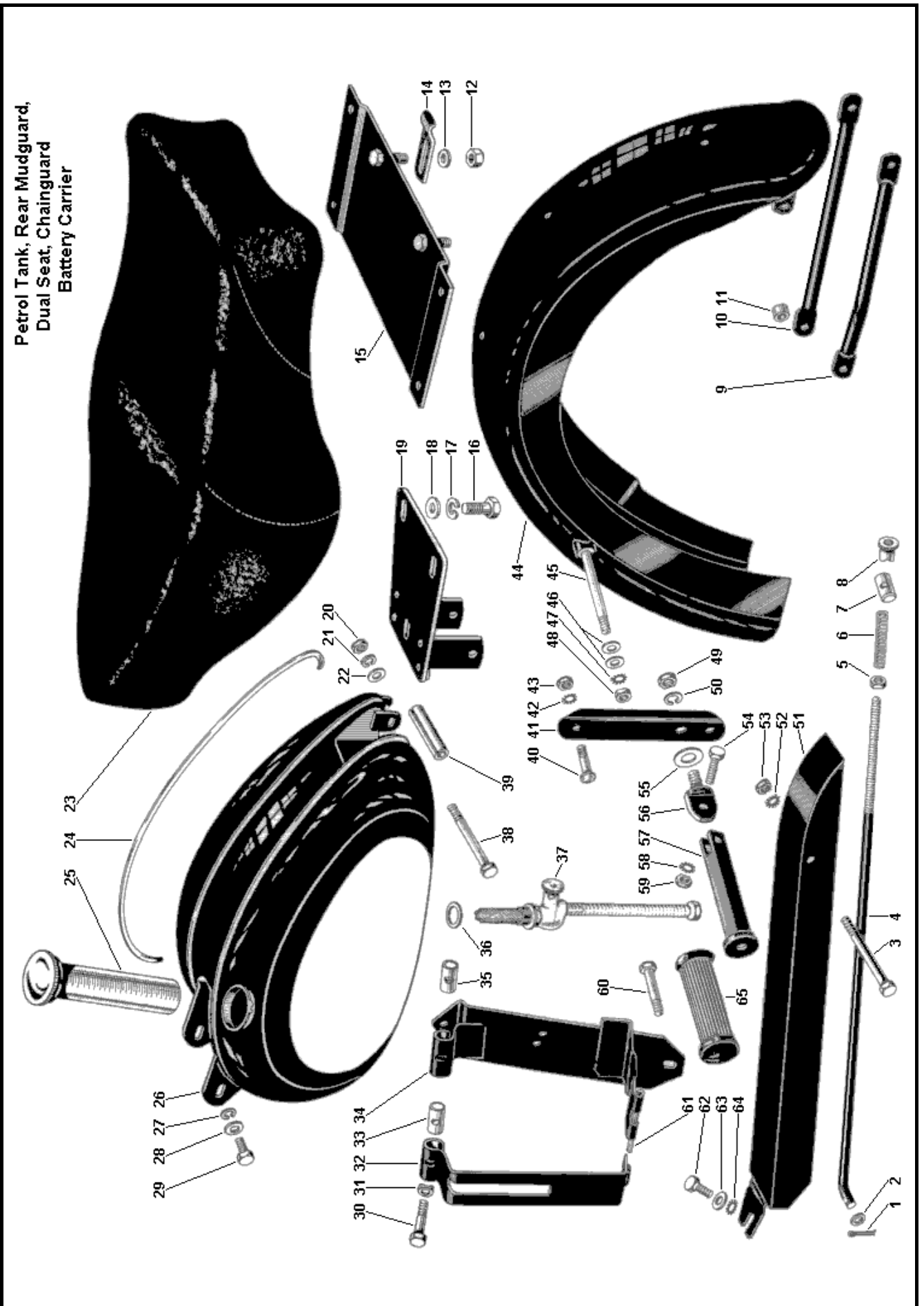


Plate 6 **Handlebar and Controls, Prop Stand, Mudguards, Toolbox, Chainguards and Silencer**  
125c.c. (Spring Frame)

Plate Ref. Number	Model.	Part No.	Description.	Number per set.
32	125c.c.	65-6576	Front number plate complete	1
33	125c.c.	27-8560	Front mudguard to stay bolt washer (plain) (front)	2
34	125c.c.	29-541	Front mudguard to stay bolt washer (shakeproof) (front)	2
35	125c.c.	21-5202	Front mudguard to stay bolt nut (front)	2
36	125c.c.	90-6527	Front mudguard with fixed fittings	1
37	125c.c.	27-8560	Front mudguard to loopstay bolt washer (plain)	2
38	125c.c.	29-541	Front mudguard to loopstay bolt washer (shakeproof)	2
39	125c.c.	21-5202	Front mudguard to loopstay bolt nut	2
40	125c.c.	27-8560	Front mudguard loopstay bolt washer (plain) (fork end)	4
41	125c.c.	21-5613	Loopstay to fork bolt	4
42	125c.c.	27-8560	Front mudguard to stay bolt washer (plain) (rear)	2
43	125c.c.	29-541	Front mudguard to stay bolt washer (shakeproof) (rear)	2
44	125c.c.	21-5202	Front mudguard to stay bolt nut (rear)	2
45	125c.c.	90-9134	Toolbox complete with lid (Wico Pacy battery lighting)	1
45	125c.c.	90-9075	Toolbox complete with lid (Wico Pacy direct lighting)	1
46	125c.c.	21-5103	Toolbox and battery carrier fixing bolt nut (top)	1
47	125c.c.	24-8784	Toolbox and battery carrier fixing bolt washer (spring) (top)	1
48	125c.c.	21-5565	Toolbox and battery carrier fixing bolt (top)	1
49	125c.c.	2-2395	Toolbox cable clip bolt nut	1
50	125c.c.	29-541	Toolbox cable clip bolt washer (shakeproof)	1
51	125c.c.	90-9060	Toolbox cable clip	1
52	125c.c.	27-8560	Toolbox cable clip bolt washer (plain)	1
53	125c.c.	2-204	Toolbox cable clip bolt	1
—	125c.c.	90-9033	Saddle	1
54	125c.c.	15-7563	Toolbox distance piece (Wico Pacy battery set)	2
55	125c.c.	65-8516	Throttle twist grip complete (less cable and cover)	1
56	125c.c.	90-8552	Throttle control cable and cover complete	1
57	125c.c.	29-8812	Front brake control lever	1
58	125c.c.	29-8813	Front brake control lever screw	1
59	125c.c.	29-8506	Front brake control body ferrule	1
60	125c.c.	29-8520	Front brake cable and cover complete	1
61	125c.c.	90-4976	Handlebar	1
62	125c.c.	90-8510	Clutch control cable and cover complete	1
63	125c.c.	90-8506	Clutch control body ferrule	1
64	125c.c.	29-8813	Clutch control lever screw	1
65	125c.c.	29-8832	Clutch control lever	1
66	125c.c.	65-8502	Dummy grip (left-hand bar)	1
67	125c.c.	90-6843	Rear mudguard with fixed fittings	1
68	125c.c.	21-6173	Rear number plate top fixing screw	2
69	125c.c.	90-6839	Rear number plate	1
70	125c.c.	2-1462	Rear number plate top fixing screw washer	2
71	125c.c.	21-5102	Rear number plate top fixing screw nut	2
72	125c.c.	2-1462	Rear number plate bottom fixing bolt washer	1
73	125c.c.	21-5102	Rear number plate bottom fixing bolt nut	1
74	125c.c.	21-5102	Mudguard front fixing bolt nut	1
75	125c.c.	2-1462	Mudguard front fixing bolt washer	1
76	125c.c.	21-5619	Mudguard front fixing bolt	1
77	125c.c.	21-5611	Mudguard stay fixing bolt (rear)	2
78	125c.c.	2-1462	Mudguard stay fixing bolt washer (rear)	2
79	125c.c.	21-5102	Mudguard stay fixing bolt nut (rear)	2
80	125c.c.	90-4735	Prop stand assembly complete	1
81	125c.c.	65-4742	Prop stand spring	1
—	125c.c.	29-8814	Front brake and clutch lever screw nut	2
—	125c.c.	25-9360	Cable adjuster screw	1
—	125c.c.	25-9365	Cable adjuster screw locknut	1

Plate 7 Petrol Tank, Rear Mudguard, Dual Seat, Chainguard, Battery Carrier  
125c.c. (Spring Frame)



**Plate 7 Petrol Tank, Rear Mudguard, Dual Seat, Chainguard, Battery Carrier  
125c.c. (Spring Frame)**

Plate Ref. Number	Model.	Part No.	Description.	Number per set.
1	125c.c.	35-704	Rear brake pedal rod split pin	1
2	125c.c.	2-525	Rear brake pedal rod washer	1
3	125c.c.	21-5667	Plunger column top, mudguard stay and rear chainguard bolt	1
4	125c.c.	90-7005	Rear brake rod	1
5	125c.c.	21-5102	Rear brake rod nut	1
6	125c.c.	15-1312	Rear brake rod spring	1
7	125c.c.	65-6274	Rear brake lever swivel pin	1
8	125c.c.	90-7006	Rear brake adjuster nut	1
9	125c.c.	90-6783	Rear mudguard bottom stay (nearside)	1
10	125c.c.	90-6784	Rear mudguard bottom stay (offside)	1
11	125c.c.	66-8347	Rear mudguard stay distance piece	1
12	125c.c.	21-5102	Rear carrier clip bolt nut	2
13	125c.c.	27-8560	Rear dual seat plate carrier clip washer	4
14	125c.c.	90-9203	Dual seat rear plate carrier clip	2
15	125c.c.	90-9202	Dual seat rear fixing plate	1
16	125c.c.	2-129	Dual seat front and rear bracket bolt	7
17	125c.c.	24-8784	Front and rear bracket bolt washer (spring)	7
18	125c.c.	2-923	Front and rear bracket bolt washer (plain)	7
19	125c.c.	90-9201	Dual seat front support bracket	1
20	125c.c.	21-5103	Petrol tank rear fixing bolt nut	1
21	125c.c.	24-8784	Petrol tank rear fixing bolt washer (spring)	1
22	125c.c.	2-923	Petrol tank rear fixing bolt washer (plain)	1
23	125c.c.	90-9147	Dual seat complete with brackets, bolts, and nuts	1
—	125c.c.	90-9146	Dual seat loose fittings only (sets)	1
24	125c.c.	90-8018	Petrol tank beading (o/s)	1
24	125c.c.	90-8017	Petrol tank beading (n/s)	1
25	125c.c.	90-8035	Petrol tank filler cap and oil measure	1
26	125c.c.	90-8001	Petrol tank	1
27	125c.c.	24-8784	Petrol tank front fixing bolt washer (spring)	2
28	125c.c.	2-923	Petrol tank front fixing bolt washer (plain)	2
29	125c.c.	21-5662	Petrol tank front fixing bolt	2
30	125c.c.	29-4661	Battery strap bolt	1
—	125c.c.	90-4633	Battery carrier complete	1
31	125c.c.	29-4662	Battery carrier strap saddle washer	1
32	125c.c.	90-4619	Battery strap	1
33	125c.c.	65-2352	Battery carrier swivel block (plain)	1
34	125c.c.	90-4634	Battery carrier back	1
35	125c.c.	65-2353	Battery carrier swivel block (tapped)	1
36	125c.c.	24-8504	Petrol tap washer	1
37	125c.c.	90-8029	Petrol tap complete with pipe	1
38	125c.c.	21-5676	Petrol tank rear fixing bolt	1
39	125c.c.	90-8010	Petrol tank rear fixing bolt distance tube	1
40	125c.c.	2-2980	Pillion footrest to frame bolt	4
41	125c.c.	90-4831	Pillion footrest support	2
42	125c.c.	36-382	Pillion footrest to frame bolt washer	4
43	125c.c.	2-49	Pillion footrest to frame bolt nut	4
44	125c.c.	90-6843	Rear mudguard with fixed fittings	1
45	125c.c.	90-6785	Rear mudguard and saddle fixing stud	1
46	125c.c.	2-923	Rear mudguard and saddle fixing stud washer	4
47	125c.c.	36-382	Rear mudguard and saddle fixing stud washer (shakeproof)	2
48	125c.c.	21-5103	Rear mudguard and saddle fixing stud nut	2
49	125c.c.	2-46	Pillion footrest anchor bolt nut	2
50	125c.c.	2-522	Pillion footrest anchor bolt washer (spring)	2
51	125c.c.	90-7711	Rear chainguard	1
52	125c.c.	36-382	Plunger column top, mudguard stay and chainguard bolt washer (shakeproof)	1
53	125c.c.	21-5103	Plunger column top, mudguard stay and chainguard bolt nut	1
54	125c.c.	29-7564	Pillion footrest swivel bolt	2
55	125c.c.	29-5914	Pillion footrest anchor bolt washer (plain)	2
56	125c.c.	65-4917	Pillion footrest anchor bolt	2
57	125c.c.	29-7581	Pillion footrest	2
58	125c.c.	36-382	Pillion footrest swivel bolt washer (shakeproof)	2
59	125c.c.	24-6040	Pillion footrest swivel bolt nut	2
60	125c.c.	21-5672	Toolbox, battery carrier and engine bolt (top)	1
61	125c.c.	29-4664	Battery strap hinge pin	1
62	125c.c.	15-87	Rear chainguard front fixing bolt	1
63	125c.c.	27-8560	Rear chainguard front fixing bolt washer (plain)	1
64	125c.c.	29-541	Rear chainguard front fixing bolt washer (shakeproof)	1
65	125c.c.	29-7583	Pillion footrest rubber	2

## TOOLS and SUNDRIES 125c.c. (Spring Frame)

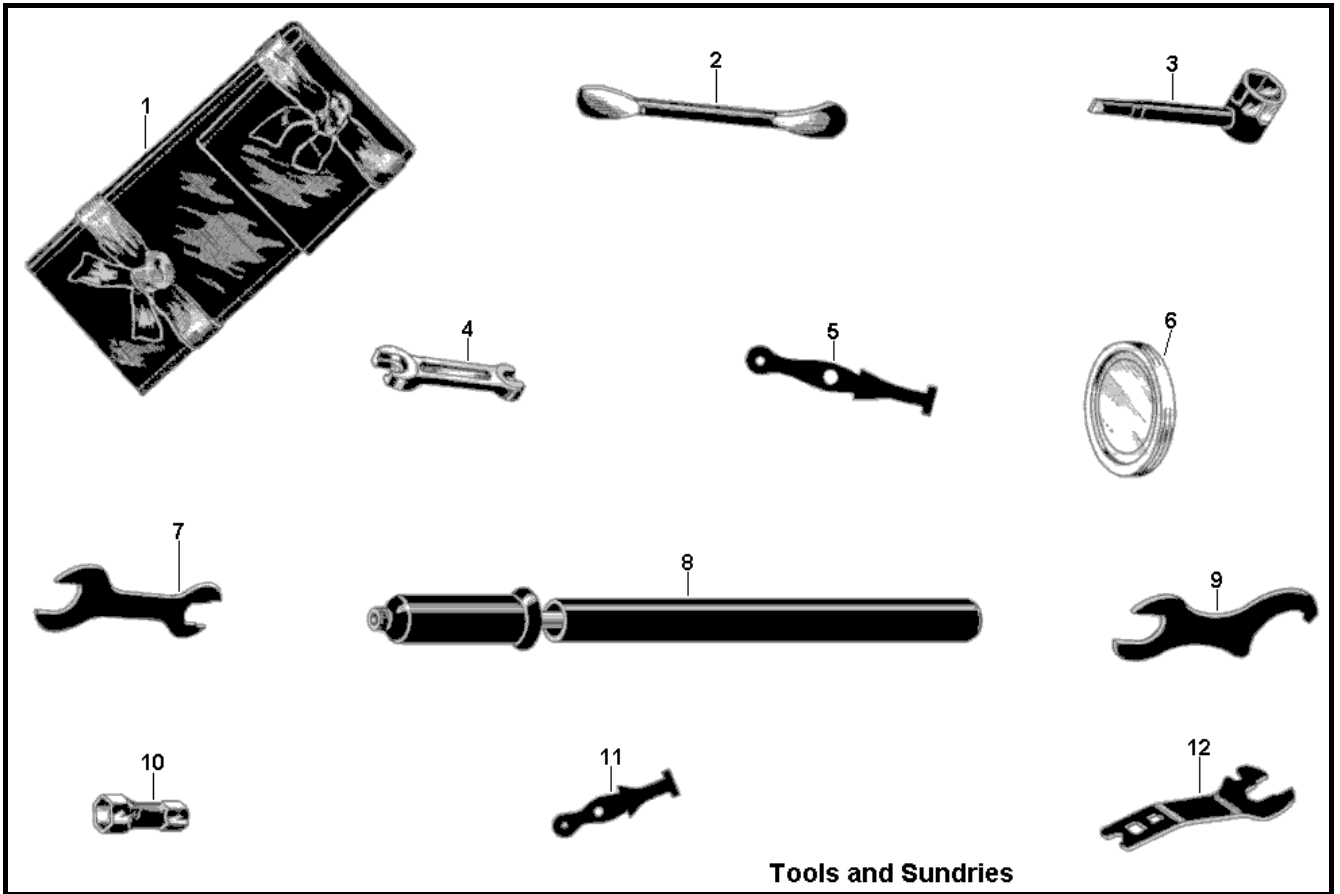


Plate Ref. Number	Model.	Part No.	Description.	Number per set.
— ...	125c.c.	... 90-9012	... Toolbag complete with tools ...	1
1 ...	125c.c.	... 90-9192	... Toolbag only ...	1
2 ...	125c.c.	... 90-9018	... Tyre lever ...	1
3 ...	125c.c.	... 66-9132	... Sparking plug spanner ...	1
4 ...	125c.c.	... 1-3051	... Double ended spanner (B.S.A.) ...	1
5 ...	125c.c.	... 66-9049	... Rubber cable clip (large) ...	6
6 ...	125c.c.	... 29-9221	... Licence holder ...	1
7 ...	125c.c.	... 90-9071	... Hub spindle nut spanner ...	1
8 ...	125c.c.	... 42-9026	... Inflator ...	1
9 ...	125c.c.	... 90-9070	... Rear wheel spindle and exhaust nut spanner ...	1
10 ...	125c.c.	... 65-9115	... Box spanner (small) ...	1
11 ...	125c.c.	... 90-9024	... Rubber cable clip (small) ...	1
12 ...	125c.c.	... 29-9254	... Combination spanner ...	1

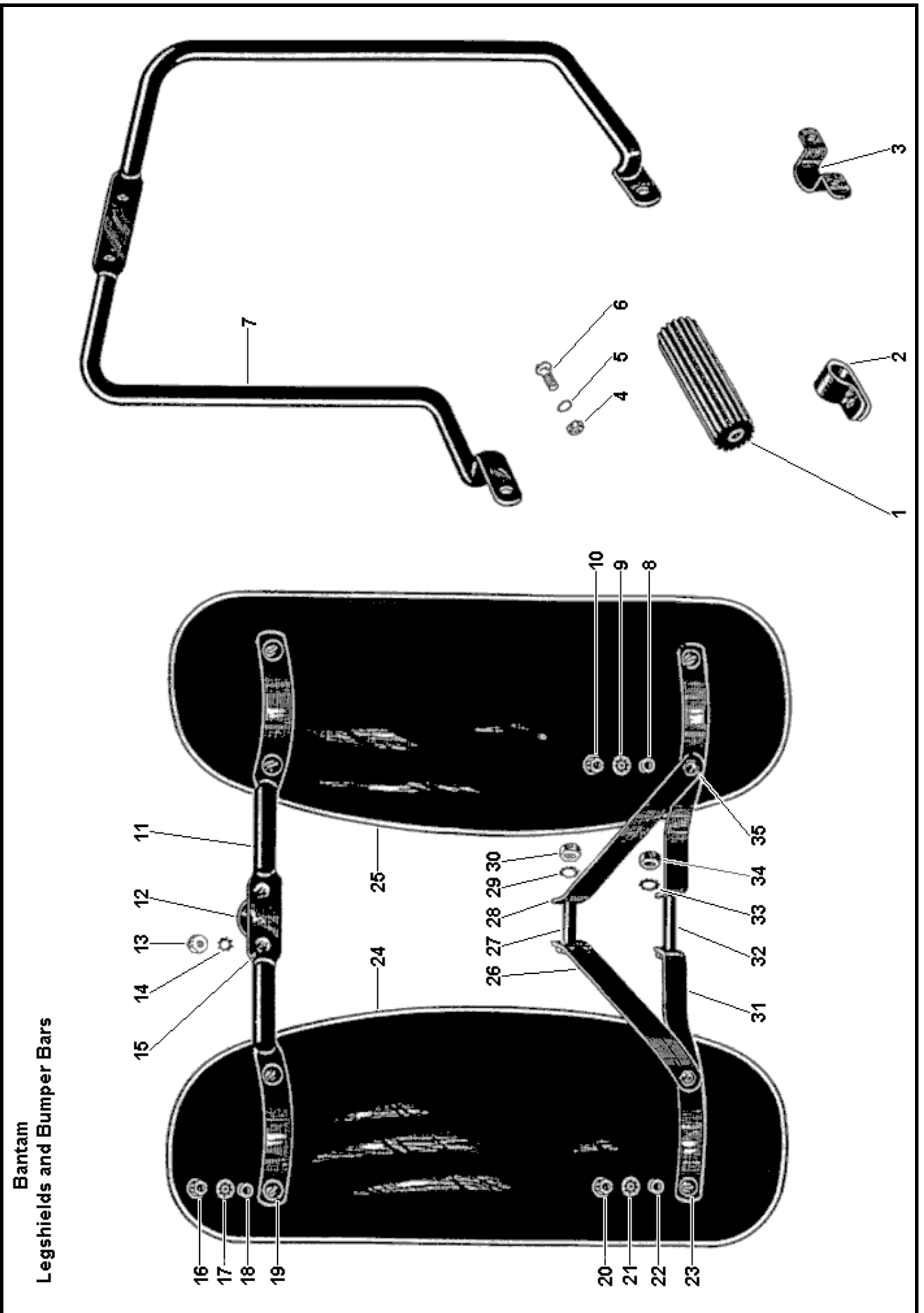


## LEGSIELDS and SAFETY BARS

### 125c.c. (Spring Frame)

Plate Ref. Number	Model.	Part No.	Description.	Number per set.
1 ...	125c.c.	... 90-4812	Footrest rubber ... ..	2
2 ...	125c.c.	... 90-3021	Safety bar legshield clip (required when safety bars are fitted)	4
3 ...	125c.c.	... 90-7196	Safety bar front down tube clip ... ..	1
4 ...	125c.c.	... 21-5102	Safety bar front down tube clip nut ... ..	2
5 ...	125c.c.	... 29-541	Safety bar front down tube clip nut washer ... ..	2
6 ...	125c.c.	... 36-379	Safety bar front down tube clip screw ... ..	2
7 ...	125c.c.	... 90-7203	Safety bar assembled with clip, nuts, bolts and washers ... ..	1
8 ...	125c.c.	... 2-525	Legshield bottom bracket bolt washer (plain) ... ..	2
9 ...	125c.c.	... 29-541	Legshield bottom bracket bolt washer (shakeproof) ... ..	2
10 ...	125c.c.	... 21-5102	Legshield bottom bracket bolt nut ... ..	2
11 ...	125c.c.	... 90-7195	Legshield top support tube (not required when safety bar is fitted). ... ..	1
12 ...	125c.c.	... 90-7196	Legshield top support tube clip ... ..	1
13 ...	125c.c.	... 21-5102	Legshield top support tube clip nut ... ..	2
14 ...	125c.c.	... 29-541	Legshield top support tube clip washer (shakeproof) ... ..	2
15 ...	125c.c.	... 36-379	Legshield top support tube clip bolt ... ..	2
16 ...	125c.c.	... 21-5102	Legshield top support tube screw nut ... ..	4
17 ...	125c.c.	... 29-541	Legshield top support tube screw washer (shakeproof) ... ..	4
18 ...	125c.c.	... 2-525	Legshield top support tube screw washer (plain) ... ..	4
19 ...	125c.c.	... 21-6173	Legshield top support tube screw ... ..	4
20 ...	125c.c.	... 21-5102	Legshield bottom support screw nut ... ..	2
21 ...	125c.c.	... 29-541	Legshield bottom support screw washer (shakeproof) ... ..	2
22 ...	125c.c.	... 2-525	Legshield bottom support screw washer (plain) ... ..	2
23 ...	125c.c.	... 21-6173	Legshield bottom support screw ... ..	2
24 ...	125c.c.	... 90-7200	Legshield only (right-hand) ... ..	1
25 ...	125c.c.	... 90-7194	Legshield only (left-hand) ... ..	1
...	125c.c.	... 90-7193	Legshields assembled complete ... ..	1
26 ...	125c.c.	... 90-7198	Bottom support bracket (offside) ... ..	1
27 ...	125c.c.	... 21-5671	Support bracket engine fixing bolt ... ..	1
28 ...	125c.c.	... 90-7199	Bottom support bracket (nearside) ... ..	1
29 ...	125c.c.	... 36-382	Support bracket engine fixing bolt washer (shakeproof) ... ..	1
30 ...	125c.c.	... 21-5103	Support bracket engine fixing bolt nut ... ..	1
31 ...	125c.c.	... 90-7197	Legshield bottom bracket ... ..	2
32 ...	125c.c.	... 21-5621	Bottom bracket engine fixing bolt ... ..	1
33 ...	125c.c.	... 29-541	Bottom bracket engine fixing bolt washer (shakeproof) ... ..	1
34 ...	125c.c.	... 21-5102	Bottom bracket engine fixing bolt nut ... ..	1
35 ...	125c.c.	... 36-379	Legshield bottom bracket bolt ... ..	2

# LEGSHIELDS and SAFETY BARS 125c.c. (Spring Frame)



## ELECTRICAL EQUIPMENT

### 125c.c. (Spring Frame)

Plate Ref. Number	Model.	Part No.	Description.	Number per set.
1 ...	125c.c.	... 90-9125	... Electric horn ...	1
2 ...	125c.c.	... 29-9349	... Horn push with cable ...	1
— ...	125c.c.	... 66-1683	... Horn push washer (fibre) (battery lighting) ...	1
3 ...	125c.c.	... 19-69	... Tail lamp (direct lighting) (one lead) ...	1
3 ...	125c.c.	... 19-68	... Tail lamp (battery lighting) (two leads) ...	1
4 ...	125c.c.	... 19-12	... Headlamp with harness, light switch and dip switch (battery lighting) ...	1
5 ...	125c.c.	... 19-81	... Rectifier ...	1
6 ...	125c.c.	... 19-11	... Headlamp with harness, light switch and dip switch (direct lighting) ...	1
7 ...	125c.c.	... 2-1588	... Stop lamp spring clip screw nut ...	1
8 ...	125c.c.	... 29-3319	... Stop lamp spring clip screw washer ...	1
9 ...	125c.c.	... 65-9228	... Stop lamp spring clip ...	1
10 ...	125c.c.	... 65-5912	... Stop lamp spring clip screw ...	1
11 ...	125c.c.	... 90-9127	... Stop lamp spring ...	1
12 ...	125c.c.	... 19-180	... Stop lamp switch ...	1
13 ...	125c.c.	... 2-49	... Stop lamp switch fixing bolt nut (not required when pillion footrests are fitted) ...	1
14 ...	125c.c.	... 36-382	... Stop lamp switch fixing bolt washer (not required when pillion footrests are fitted) ...	1
15 ...	125c.c.	... 2-2980	... Stop lamp switch fixing bolt (not required when pillion footrests are fitted) ...	1
16 ...	125c.c.	... 29-9293	... Speedometer (m.p.h.) ...	1
16 ...	125c.c.	... 19-2113	... Speedometer (k.p.h.) ...	1
17 ...	125c.c.	... 29-9295	... Speedometer head fixing nut ...	2
18 ...	125c.c.	... 29-9292	... Speedometer head fixing nut washer ...	2
19 ...	125c.c.	... 90-9021	... Speedometer cable ...	1
— ...	125c.c.	... 19-1643	... Battery ...	1

## CARBURETTER

MESSRS. AMALGAMATED CARBURETTERS LTD., PERRY BARR, BIRMINGHAM

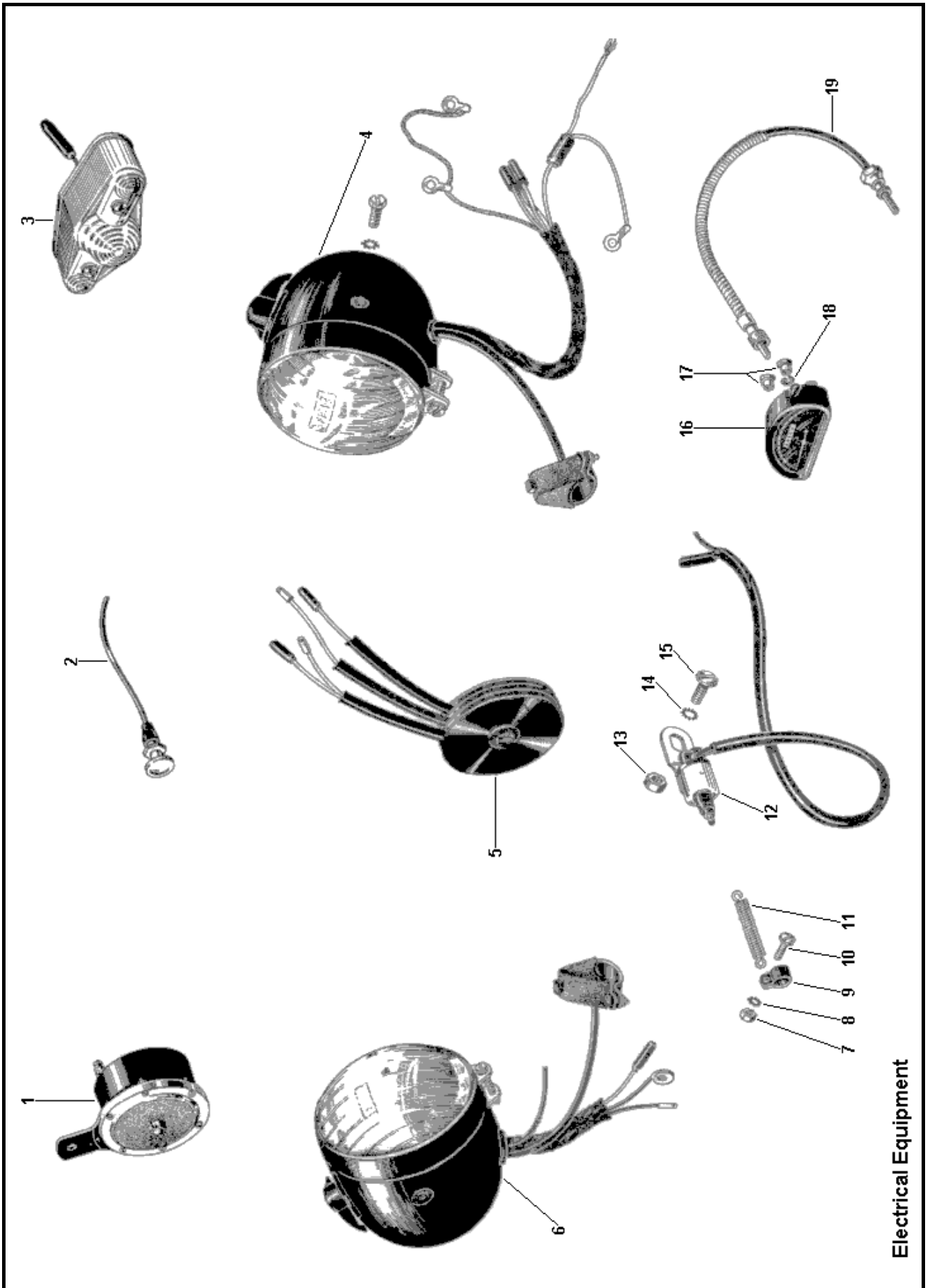
Model	Type	Choke Size (inches)	Main Jet	Throttle Valve No.	Needle Position	Needle Jet	Engine End Size (inches)
D1	361/18	5/8	75	5	2	.106	5/8

## PISTONS

Model	PISTONS COMPLETE			COMPRESSION RINGS (2)		
	Standard	.020" O.S.	.040" O.S.	Standard	.020" O.S.	.040" O.S.
D1	90-337	90-338	90-338	90-9	90-278	90-394

# ELECTRICAL EQUIPMENT

125c.c. (Spring Frame)



Electrical Equipment